

GENIUS^{MT} 12-21

GN 12 X 2/1

Combi steamer, electric, right hinged



HIGHLIGHTS

MT-TECHNOLOGY:

- 7" MultiTouch Display
- Climatic^x MT
- Last^x20
- Quick Set
- Multi Cooking/Multi Baking
- Quick Mode with password manager
- Weekly programming
- 3 fan speed levels
- autoclean[®] MT
- Automation facilities
- Eloma live steam system
- HACCP data logging and display
- Multi-Eco-System
- SPS[®]: Steam Protection System
- Timer-function: Entry of starting and ending time

GENIUS^{MT} 12-21 GN 12 X 2/1

DIMENSIONS

Width x depth x height in mm: 1370 x 1036 x 1490

Weight: 350 kg

Weight with packaging: 450 kg

Number levels: 12 x GN 2/1

Distance between levels: 67 mm

ELECTRICAL SUPPLY

Voltage: 400V/3 N AC

Connection load: 34.00 kW / 26.00 kW

Rated current: 48.5 Amp / 36.7 Amp

Protection: 3 x 63 Amp / 3 x 50 Amp

Res. current circuit breaker, frequency converter IPII: 50Amp

Recommended cross section: 10 qmm

Noise emission: < 70 dB (A)

Article number: EL1213001-2X / EL1213002-2X

SAFETY CLEARANCE

Rear: min. 50mm

Right: min. 50mm

Left: min. 50mm

Minimum distance to heat sources: min. 50mm

LOADING CAPACITY

Cooking chamber volume: 781l

GN 2/1: 12

GN 1/1: 24

Plates max. Ø32 cm: 75

WATER CONNECTION

Water supply/dim: 2 x G 3/4" A

Flow pressure: 2 - 6 bar (200 - 600 kPa)

DRAIN SYSTEM

Version: permanent connection (rec.) or funnel waste trap

Type: DN50 (min. Ø internal: 46mm)

Slope for waste water pipe: min. 3%

WATER QUALITY

General requirement: drinking water

Total hardness: ≤ 3°dh / 70 - 125 ppm / 7-13°TH / 5-9°e

pH-Wert: 7.0 - 8.5

Cl (chloride): max. 60 mg/l

Cl₂ (free chlorine): max. 0.2 mg/l

SO₄ (sulphate): max. 150 mg/l

Fe (iron): max. 0.1 mg/l

Temperature: max. 40°C

Electrical conductivity: min. 20 µS/cm

Water pressure: 4 bar (2 - 6 bar)

WATER CONSUMPTION

Soft water: 25 l/h (at 4 bar)

Hard water: 55 l/h (at 4 bar)

HEAT EMISSION

Latent: 12.24 MJ/h, sensitive: 8.568 MJ/h

Latent: 9.36 MJ/h, sensitive: 6.552 MJ/h

STANDARDS

Safety: VDE-G5, UL-CSA, SVGW, DVGW,

3R, EAC, GlobalMark Australia

Protection: IPX 5

Built according to: DIN 18865-2



GENIUS^{MT} 12-21 GN 12 X 2/1

STANDARD FEATURES

9 operating modes

400 program spaces/20 steps each

Acoustic signal adjustable

Active dehumidification

Additional cooking/baking time

Automatic daylight-saving time

Automatic resting time in accordance to humidity setting

Automated cleaning and maintenance instructions, incl.

locking

Blinking light following the program end

Clearing fully automatic: autoclean^{MT}

Compensation of cooking time (Multi Cooking/Multi Baking)

Control panel with MultiTouch-display

Door lock: Safety door lock

Door with halogen lighting and double glazing

Energy saving function E/2

Fan speed reduced

Fan wheel autoreverse

Favourites list

Favourites marking and filtering

Hi-ACCP data logging and display

Humidity setting: 0 - 100%

Individualisation of operating concept with

password manager

Input: alphanumeric

Instruction: clean air filter

Integrated spray hose

Integration of (own) images

Integration of (own) sounds

LAN Interface

Live steam system

Manual steaming

Memory Function

Multi-Eco-System: heat recovery

Multi-Key Button

Multi-lingual control panel

Multi-point core temperature sensor

MT-Technology:

- Baking mode
- Climatic MT
- Last*20
- Multi Cooking/Multi Baking
- MultiTouch-Display
- Quick Mode cooking/baking
- Quick Mode cleaning
- Quick Set

Preheat/Cooldown function adjustable

Pre-set of steam injection (in 10 ml steps)

Program information input on the unit

Program list alphabetical with menu group filtering

Repeat Mode

Seamless, hygienic cooking chamber

Selectable drying phase

Selectable starting screen

SPS: Steam Protection System

Standby after cleaning

Steam injection adjustable in millilitres or seconds

Steptronic

Temperature setting: 30°C - 300°C

Timer function: Entry of starting and ending time

USB Interface

Water resistance IP X5

Weekly programming for cooking/baking and

autoclean^{MT}



GENIUS^{MT} 12-21 GN 12 X 2/1

VERSIONS

Ocean-Edition

OPTIONS

Door with LED lighting and triple glazing

Energy optimisation interface

External core temperature sensor

External sous-vide sensor

Special voltages

W_LAN

ACCESSORIES

Hygienic connection

Mobile plate rack

Mobile tray rack

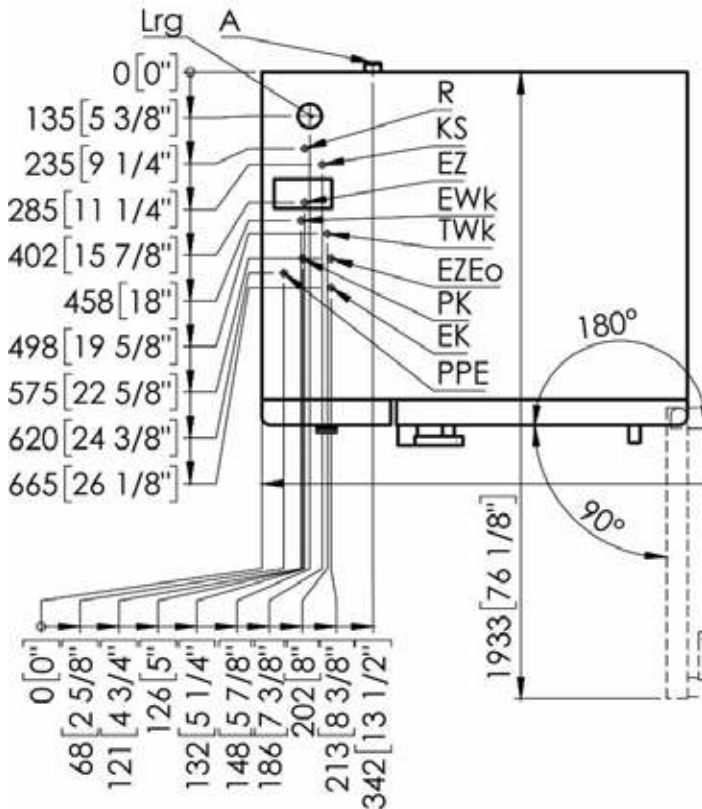
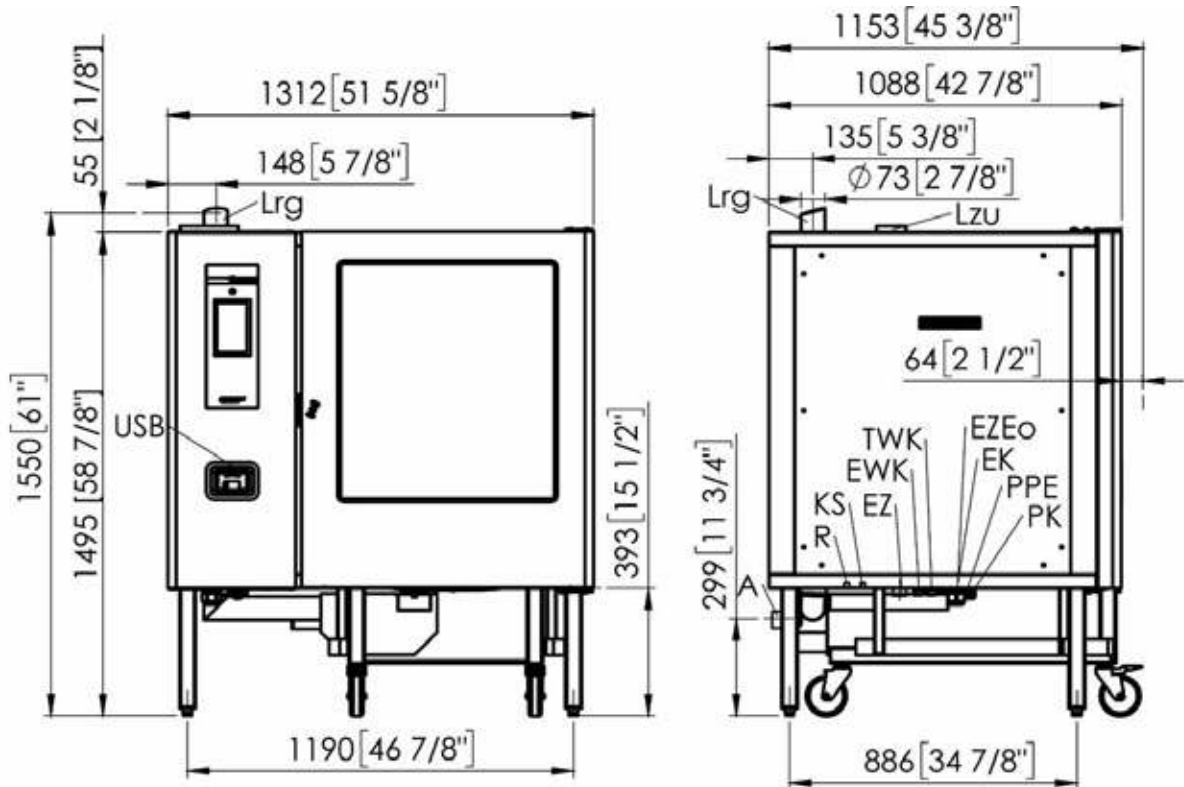
Multi-Eco condensation hood

ProConnect

Trays, grids and pans



GENIUS^{MT} 12-21 GN 12 X 2/1



- Lzu Zuluftöffnung / Supply air opening
- Lrg Abluftrohr / Exhaust air pipe
- A Anschluss Abwasserleitung/Connection for waste water line
- EWk Anschluss Weichwasser G3/4" / Connection for soft water BSP 3/4"(US:GHT 3/4")
- TWk Anschluss Hartwasser G3/4" / Connection for hard water BSP 3/4"(US:GHT 3/4")
- EZ Anschluss Elektroleitung/Connection for electrical cable
- EK Kommunikationsanschluss (z.B. RS232,LAN) Communications connection(e.g.RS232,LAN)
- USB USB-Buchse/USB port
- PPE Anschluss Potentialausgleich/Connection for potential equalisation
- PK Potentialfreier Kontakt(optional)/Floating contact (optional)
- EZEo Optimierungsanlage/Power optimization
- X Füße, justierbar +/-10mm/Feet, adjustable +/- 3/8"
- R Anschluss Reiniger/Connection for cleaner
- KS Anschluss Klarspüler/Connektion for rinse agent



an Ali Group Company



The Spirit of Excellence